

VECTOR P 旋转锁



Vector P 旋转锁是一个重型抗振解决方案，专门用于公路和非公路车辆应用。锁具机构与冲击座分两阶段接合，提升所需的安全性能。闭合时，门锁可承受 225 公斤的拉力。提供左开、右开或适用握柄选择，使用固定架或四枚模压螺栓安装。防水和防尘等级达到 IP66。



材质

Body, grip handle and adapter for cylinder (internal component): 尼龙6+30%玻纤
 Cylinder: Brass, nickel plated in matt finish
 Manoeuvre arms: 锌合金, 镀锌
 Mounting bracket, mould-in bolts, maneuver mechanism and striker used inside sealed area: 钢, 镀锌
 螺母: Zinc die cast, chrome
 O-ring: NBR
 PUR-gasket: Polyurethane

相关产品

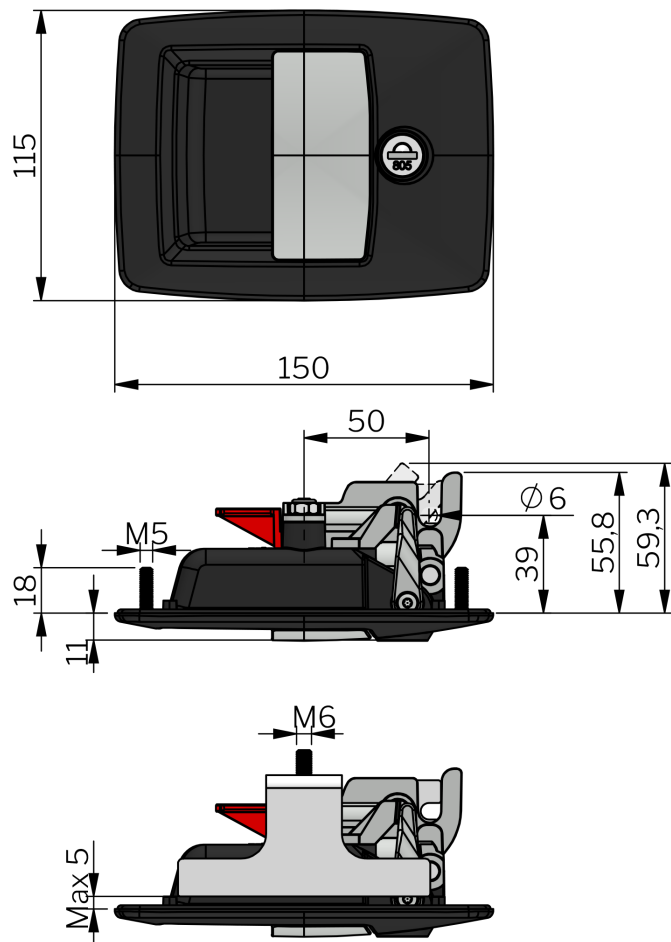
类似产品: 2-831
 附件产品: 2-412
 索引编号见网站 industrilas.com

TESTS & STANDARDS

The tightening torque of the two nuts for the mounting bracket is 3,0 Nm. The tightening torque of the four nuts for the mould-in bolts is 2,2 Nm. It is important that the four holes made in the cut out for the mould-in bolts are within tolerance, to avoid damage when tightening the M5 nuts.

标准: IP66, DIN EN 61373

钥匙信息: Supplied keys: 2, Cylinder with other key codes on request



Industrilas
 — When access counts —

每一栏选择对应的数字创建产品编号 (AAAA-BBCDDE-FFGG)

AAAA 款式	BB 把手 材质	C Mounting	DD Cam	E 款式	FF Cylinder type	GG Striker H L
2800 VECTOR - Paddle	00 Universal PA6	1 Mould-in bolts	05 Rotary	0 Standard	01 805	01 是 16 55
	01 Universal 锌合金, 镀铬	2 安装托架			02 455	00 否 - -
	02 Universal Zinc die cast, black				03 不同钥匙	
	10 Left PA6				06 CH751	
	20 Right PA6				69 Keyed alike 810	
					70 Keyed alike 815	
					71 Keyed alike 820	
					72 Keyed alike 825	
					73 Keyed alike 830	
					74 Keyed alike 835	
					75 Keyed alike 840	
					76 Keyed alike 845	
					77 Keyed alike 850	

